

The MINI-TANK Electric Water Heater

Plugs into standard 110 volt outlet!

Save water

Installing the Mini-Tank under the sink puts hot water right where you need it – at the point-of-use, so there is no water going down the drain while waiting for hot water.

Save energy

Point-of-use water heating eliminates long runs of pipe and long waits for hot water at the tap.

Save space

By installing an Eemax point-of-use heater, you eliminate the need for a large bulky storage tank.

Superior design

Impact and corrosion resistant exterior. Glass lined tank inside. Quick economical recovery and superior insulation for high efficiency.

Easy to size

- 2.5 gallon for 1 sink
- 4 gallon for 2 sinks

Versatile applications

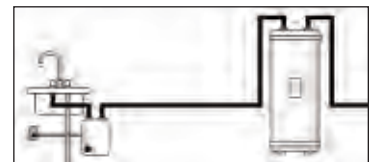
- Homes, cottages, kitchenettes
- Stores and offices
- RVs and mobile homes, boats
- Restaurants and hotels
- Service stations
- Warehouses and factories



DUAL LAVATORY



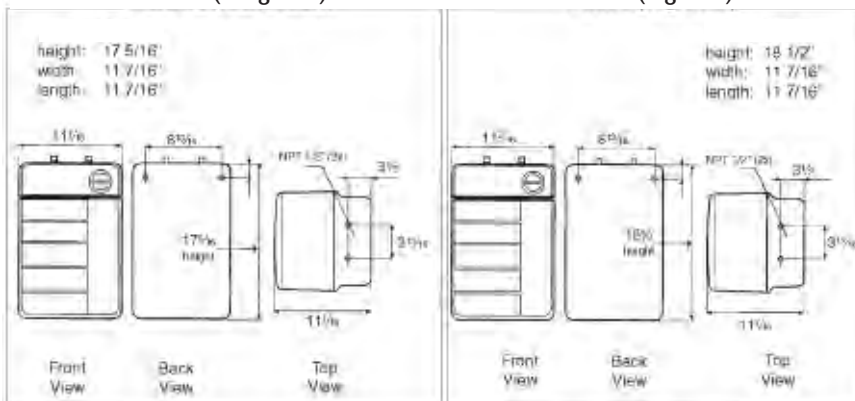
IN-LINE APPLICATION



Electric Mini-Tank Dimensions

HH2.5 (2.5 gallon)

HH4 (4 gallon)



Technical Data

SPECIFICATIONS	HH2.5	HH4
Tank Volume	2.5 gallons	4 gallons
Weight	18 lbs	19 lbs
Recovery time (60° to 150°)	25 minutes	45 minutes
Water Connections	1/2" NPT	1/2" NPT
Relief Valve	installed	installed
Sizing	one sink*	two sinks*

*used as a single source or booster application

All Units

Voltage - 110/120 volts
Amperage - 10 amps
Heating Capacity - 1200 watts
Color - white

Phase - single
Temperatures - 65° - 155°F
Operating Pressure - 150 psi

HHP
HomeHeating
PRODUCTS

Home Heating Products
3001 South Broad Street
P.O. Box 2598, Chattanooga, TN 37405
Telephone 423-265-0760, Fax 423-265-0762