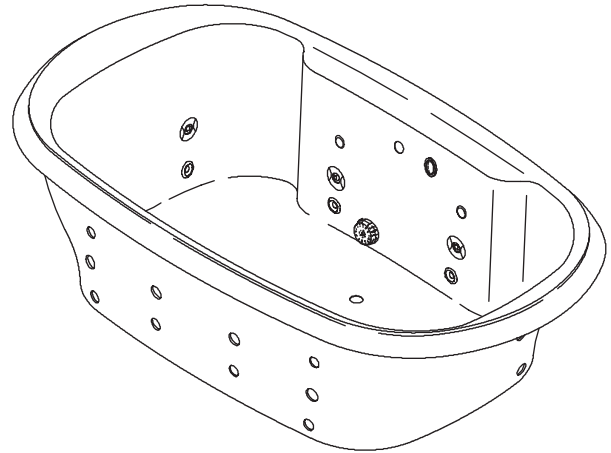


Features

- Acrylic
- 1.5 hp variable speed pump with 1.5 kW heater, back-lit user keypad, and remote control
- 8 Flexjets™
- 8 effervescence ports
- 4 chromatherapy lights
- 240 V, 20 A electrical service
- UL listed
- Color-matched jet trim included
- Coordinating Revival® Suite
- 72" (182.9 cm) x 42" (106.7 cm) x 22" (55.9 cm)

6' EXPERIENCE BATH WHIRLPOOL WITH SPA PACKAGE K-1375-AH



Codes/Standards Applicable

Specified model meets or exceeds the following:

- ANSI Z124.1
- IAPMO/UPC
- Underwriter's Laboratories (UL)
- ASME A112.19.7M

Colors/Finishes

- 0: White
- Other: Refer to Price Book for additional colors/finishes

Accessories:

- CP: Polished Chrome
- PB: Polished Brass
- Other: Refer to Price Book for additional colors/finishes

Specified Model

| Model | Description | Colors/Finishes | | |
|------------------------------|---|----------------------------------|-------------------------------------|-------------------------------------|
| K-1375-AH | Bath whirlpool with Relax Package | <input type="checkbox"/> 0 White | <input type="checkbox"/> Other_____ | |
| Recommended Accessory | | | | |
| K-7161-AF | Drain | <input type="checkbox"/> CP | <input type="checkbox"/> PB | <input type="checkbox"/> Other_____ |
| K-16122 | Revival® faucet OR | <input type="checkbox"/> CP | <input type="checkbox"/> PB | <input type="checkbox"/> Other_____ |
| K-15880-K | Coralais® base faucet (requires handle kit) OR | <input type="checkbox"/> CP | <input type="checkbox"/> PB | <input type="checkbox"/> Other_____ |
| K-15881-K | Coralais® base faucet (requires handle kit) | <input type="checkbox"/> CP | <input type="checkbox"/> PB | <input type="checkbox"/> Other_____ |
| Optional Accessories | | | | |
| K-1491 | Pillow | <input type="checkbox"/> 0 White | <input type="checkbox"/> Other_____ | |
| K-1601 | Footstop | <input type="checkbox"/> 0 White | <input type="checkbox"/> Other_____ | |

Product Specification:

The bath whirlpool shall be 72" (182.9 cm) in length, 42" (106.7 cm) in width, and 22" (55.9 cm) in height. Bath whirlpool shall be made of acrylic. Bath whirlpool shall have 8 Flexjets, 8 effervescence ports, 4 chromatherapy lights, 1.5 hp variable speed pump, 1.5 kW heater, back-lit user keypad and remote control. Bath whirlpool shall be UL listed. Bath whirlpool shall coordinate with Revival® Suite. Bath whirlpool shall be Kohler Model K-1375-AH-_____.

REVIVAL®

Technical Information

| | | | |
|--------------|------------------------------|--------------------------------|-----------------|
| Fixture*: | basin area | top area | weight |
| Bathing well | 50" (127 cm) x 29" (73.7 cm) | 61" (154.9 cm) x 32" (81.3 cm) | 145 lbs (66 kg) |
| | water depth | capacity | |
| To overflow | 16" (40.6 cm) | 100 gal (378.5 L) | |

* Approximate measurements for comparison only.

| Pump | Heater | Voltage | Frequency | Amperage |
|--------|--------|---------|-----------|----------|
| 1.5 Hp | 1.5 kW | 240 V | 50/60 Hz | 11 A |

No change in measurements if connected with drain illustrated. (K-7161-AF or K-7161M-AF)

| | | |
|-----------------------|-----------------------------------|-------------|
| Cut-out template | | 113311-7 |
| Minimum access panel: | | |
| Pump/control | 34" (86.4 cm) W x 15" (38.1 cm) H | required |
| Faucet area | | recommended |

Required Electrical Service

Dedicated circuit required, protected with Class A Ground-Fault Circuit-Interrupter (GFCI) or Earth-Leakage Circuit-Breaker (ELCB):

Pump/control 220-240 V, 20 A, 50/60 Hz

Installation Notes

The pump and piping protrude beyond the rim.

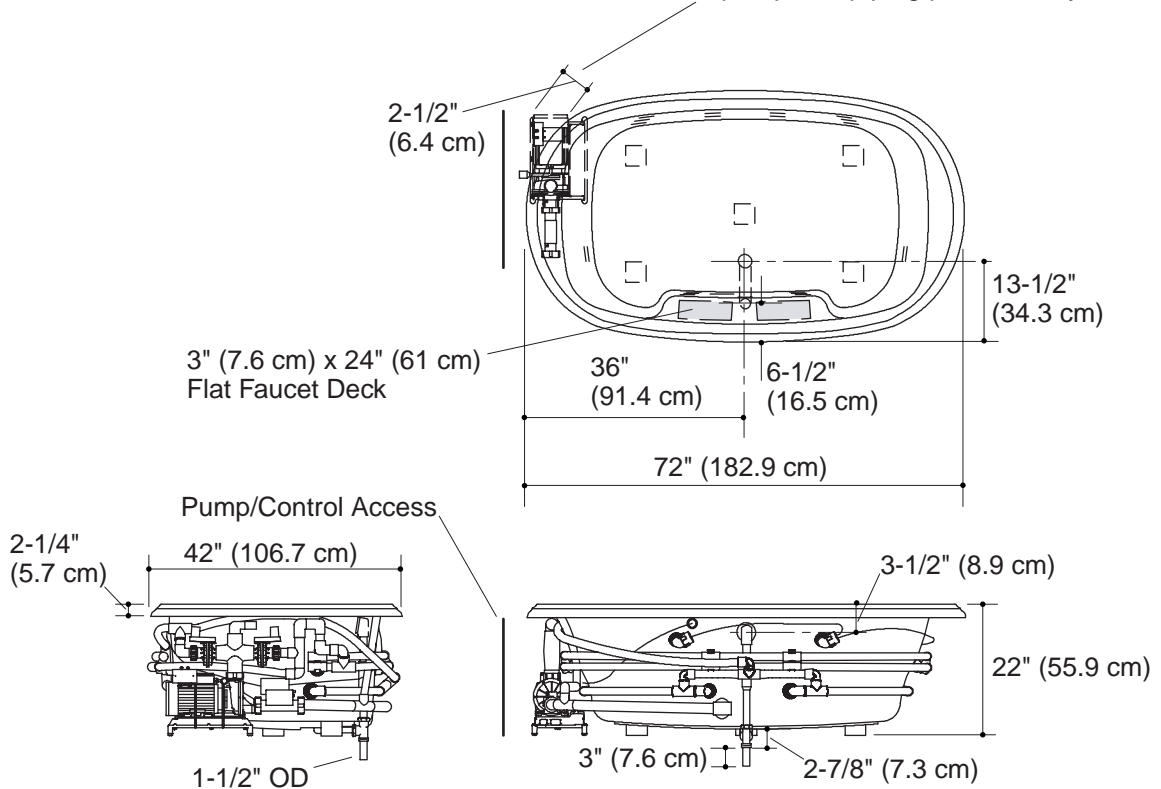
Install this product according to the installation guide.

Floor support under whirlpool must provide for a minimum of 1850 lbs (839.1 kg).

Hot water supply should be 70% of capacity or greater. Installations will vary.

If installing a rim mount faucet, make sure there is no interference with drain overflow and circulating system before drilling any holes. Consult local and national codes for minimum air gap requirements if installing a spout on the faucet deck.

Note: The pump and piping protrude beyond the rim.



Product Diagram