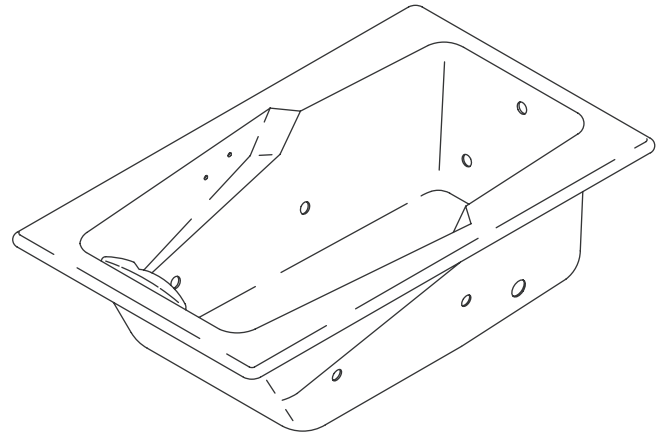


Features

- Cast iron with Safeguard® finish
- UL listed
- Less all trim
- Drilled for required grip rails
- 6 Flexjets
- N1 models - 2 hp variable speed pump with 1.5 kW heater
- H2 models - 1.5 hp variable speed pump with 1.5 kW heater
- 60" (152.4 cm) x 36" (91.4 cm) x 20-3/8" (51.8 cm)

BATH WHIRLPOOL K-792-H2 ALSO K-792-N1



Codes/Standards Applicable

Specified model meets or exceeds the following:

- IAPMO/UPC
- Underwriters Laboratories (UL)
- ASME A112.19.1M
- ASME A112.19.7M

Colors/Finishes

- 0: White
- Other: Refer to Price Book for additional colors/finishes

Accessories:

- CP: Polished Chrome
- PB: Polished Brass
- Other: Refer to Price Book for additional colors/finishes

Specified Model

| Model | Description | Colors/Finishes | |
|----------|---|----------------------------|-------------------------------------|
| K-792-H2 | Bath whirlpool | <input type="checkbox"/> 0 | <input type="checkbox"/> Other_____ |
| K-792-N1 | Bath whirlpool with neckjets and pillow (shown) | <input type="checkbox"/> 0 | <input type="checkbox"/> Other_____ |

| Required Accessories | | | | |
|----------------------|-------------------|-----------------------------|-----------------------------|-------------------------------------|
| K-9696 | Jet trim kit | <input type="checkbox"/> CP | <input type="checkbox"/> PB | <input type="checkbox"/> Other_____ |
| K-9623 | Grip rails (pair) | <input type="checkbox"/> CP | <input type="checkbox"/> PB | <input type="checkbox"/> Other_____ |

| Recommended Accessories | | | | |
|-------------------------|-------|-----------------------------|-----------------------------|-------------------------------------|
| K-7161-TF | Drain | <input type="checkbox"/> CP | <input type="checkbox"/> PB | <input type="checkbox"/> Other_____ |

Product Specification

The bath whirlpool shall be 60" (152.4 cm) in length, 36" (91.4 cm) in width, and 20-3/8" (51.8 cm) in height. Bath whirlpool shall be made of cast iron with Safeguard finish. K-792-N1 bath whirlpool shall have 6 Flexjets, 2 hp variable speed pump, 1.5 kW heater, back-lit user control, and pulsating neckjets with pillow. K-792-H2 bath whirlpool shall have 6 Flexjets, 1.5 hp variable speed pump, 1.5 kW heater, and back-lit user control. Bath whirlpool shall be UL listed. Bath whirlpool shall be less all trim. Bath whirlpool shall be drilled for K-9623 grip rails (required). Bath whirlpool shall be Kohler Model K-792-_____-_____.

STEEPING™ BATH

Technical Information

| Fixture*: | Basin area | Top area | Weight |
|---|--------------------------------|------------------------------|--------------------|
| Bathing well | 43" (109.2 cm) x 19" (48.3 cm) | 54" (137.2 cm) x 30" (61 cm) | 420 lbs (190.5 kg) |
| Water depth (to overflow) | | Capacity (to overflow) | |
| 15" (38.1 cm) | | 62 gal. (234.7 L) | |
| * Approximate measurements for comparison only. | | | |

| Product | Pump | Heater | V | A* |
|---|--------|--------|-----|----|
| Neckjets | 2 hp | 1.5 kW | 240 | 15 |
| Without neckjets | 1.5 hp | 1.5 kW | 240 | 11 |
| * Approximate measurements for comparison only. | | | | |

| | | | |
|----------------------------------|--|--|--|
| Drop-in cut-out | 58-1/2" (148.6 cm) x 34-1/2" (87.6 cm) | | |
| Cut-out for undermount | K-584 template | | |
| Minimum access panel (required): | | | |
| Pump/control | 34" (86.4 cm) W x 15" (38.1 cm) H | | |

Required Electrical Service

Dedicated circuit required, protected with Class A Ground-Fault Circuit-Interrupter (GFCI) or Earth-Leakage Circuit-Breaker (ELCB):

| | |
|--------------|---------------------------|
| Pump/control | 208-240 V, 20 A, 50/60 Hz |
|--------------|---------------------------|

Installation Notes

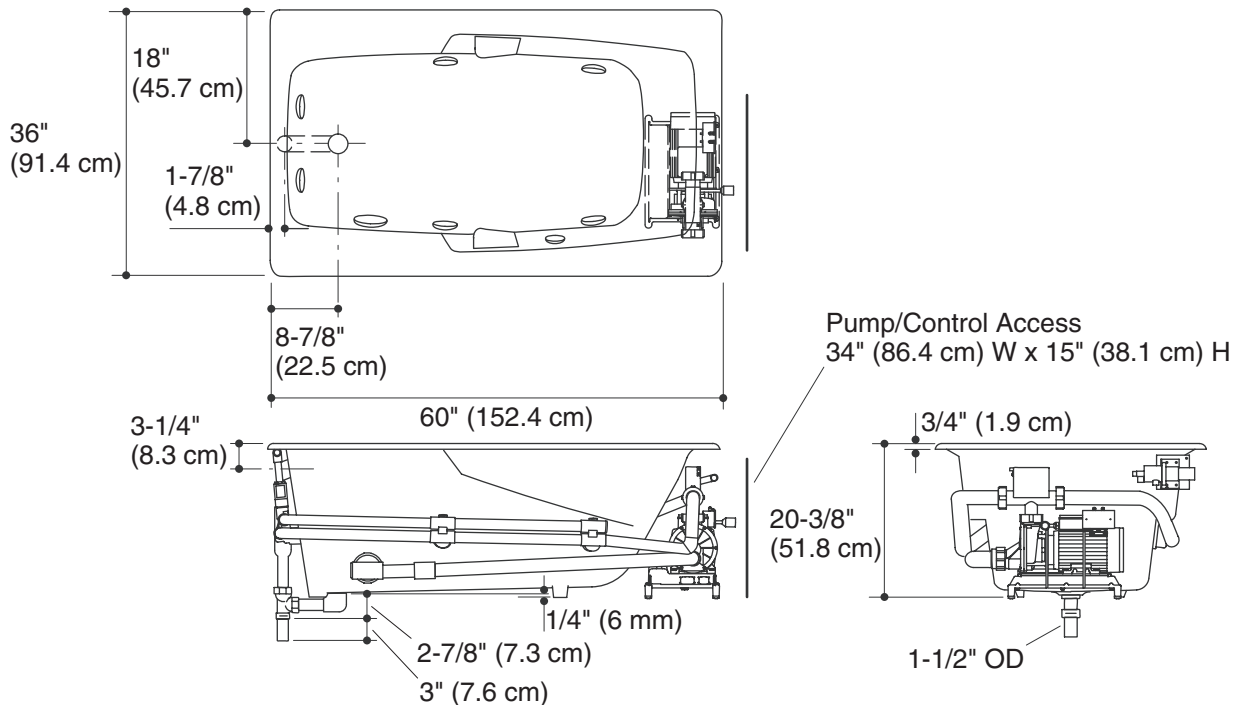
Install this product according to the installation guide.

Floor support under whirlpool must provide for a minimum of 1500 lbs (680.4 kg) loading.

Cast iron whirlpools are extremely heavy, making some drop-in installations difficult. Splitting the deck/surround is recommended if installing into a deck.

No change in measurements if connected with drain illustrated. (K-7161-AF or K-7161M-AF)

K-792-N1



Product Diagram