

Product Information

Applicable product:				
Corner footbath		K-1005-H2		
Fixture*:				
Basin area:				
Bathing well	60" (152.4 cm) x 28" (71.1 cm)			
Top area	62" (157.5 cm) x 29" (73.7 cm)			
To overflow:				
Water depth	10-1/2" (26.7 cm)			
Capacity	43 gal (162.8 L)			
Weight	115 lbs (52.2 kg)			
* Approximate measurements for comparison only.				
Variable-speed pump:	2 Hp	220-240 V	50/60 Hz	6 A
Heater:	4 kW	220-240 V	50/60 Hz	15 A

Required Electrical Service

Two dedicated circuits required, each protected with Class A Ground-Fault Circuit-Interrupter (GFCI/ELCB):	
Pump/control	220-240 V, 20 A, 50/60 Hz
Heater	220-240 V, 20 A, 50/60 Hz

Installation Notes

Install this product according to the installation guide.

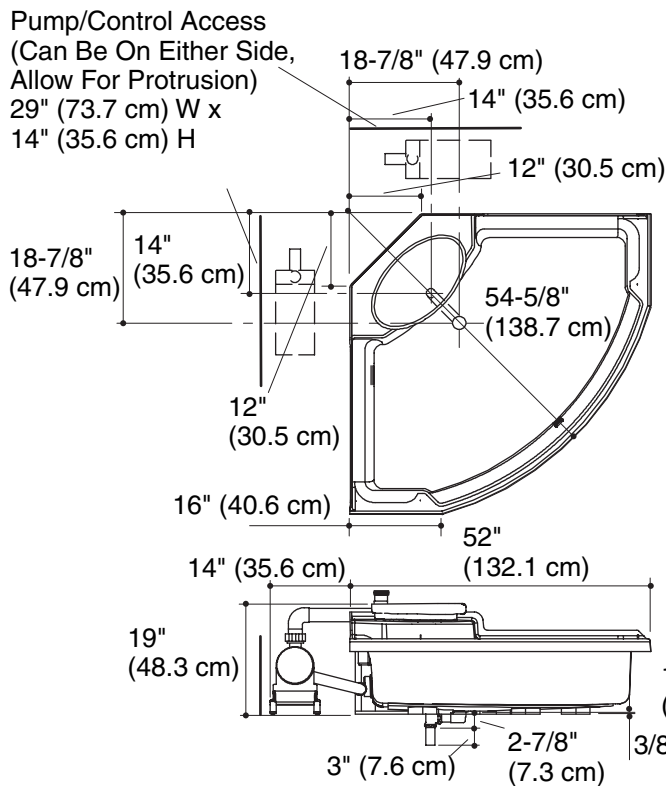
Stud placement is critical. Follow installation instructions for stud pocket preparation. Allow for pump protrusion.

Allow 83-1/2" (212.2 cm) to 84" (213.4 cm) from sub-floor to finished ceiling or header for proper enclosure installation.

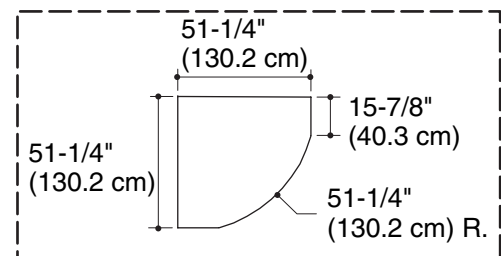
Enclose top of unit to retain heat and contain water spray.

The BodySpa is not designed for steam applications and may not perform satisfactorily as a steam unit.

Fixture conforms to ANSI Standard Z124.1.2. All dimensions are nominal.



No change in measurements if connected with drain illustrated. (K-7160-AF or K-7160M-AF)



Cut-out Detail For Deck Installation

